

## Specification of: RGA 31-5663-6X-3G

### Roof exhaust fans Gebhardt ergovent

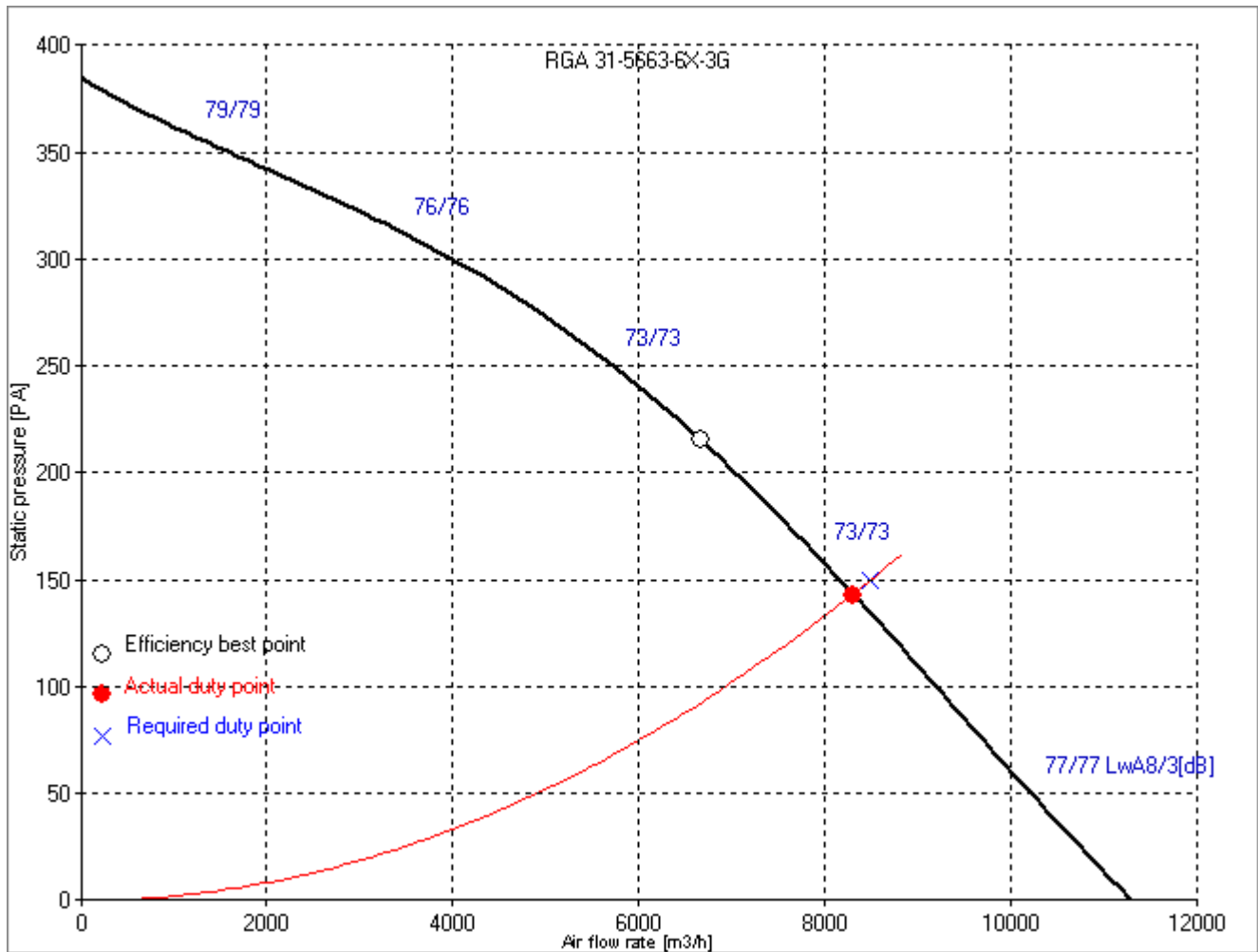
Fan in explosion protected execution acc. to EU regulations 2014 / 34 / EU (ATEX). Category 3G (II3G c IIB T3) suitable for media temperatures of - 20 °C up to + 40 °C. Stylish cowl made of metal. Base frame of galvanised sheet steel for fitting to upstand, projecting well beyond the upstand in order to increase weatherproofing. Flange connection at intake acc. to DIN 24155-2 Protection grid at discharge High performance centrifugal impeller with backward curved blades fitted to the rotor of an integrated motor. Motor maintenance free, vibration isolated, and fully protected by PTC thermistors Fan speed controlled by voltage variation through transformer (Min. voltage 115 V) Performance data in according DIN 24166 tolerance class 2 (BS 848 Class "B").

### Technical data of the fan acc. to ATEX: RGA 31-5663-6X-3G

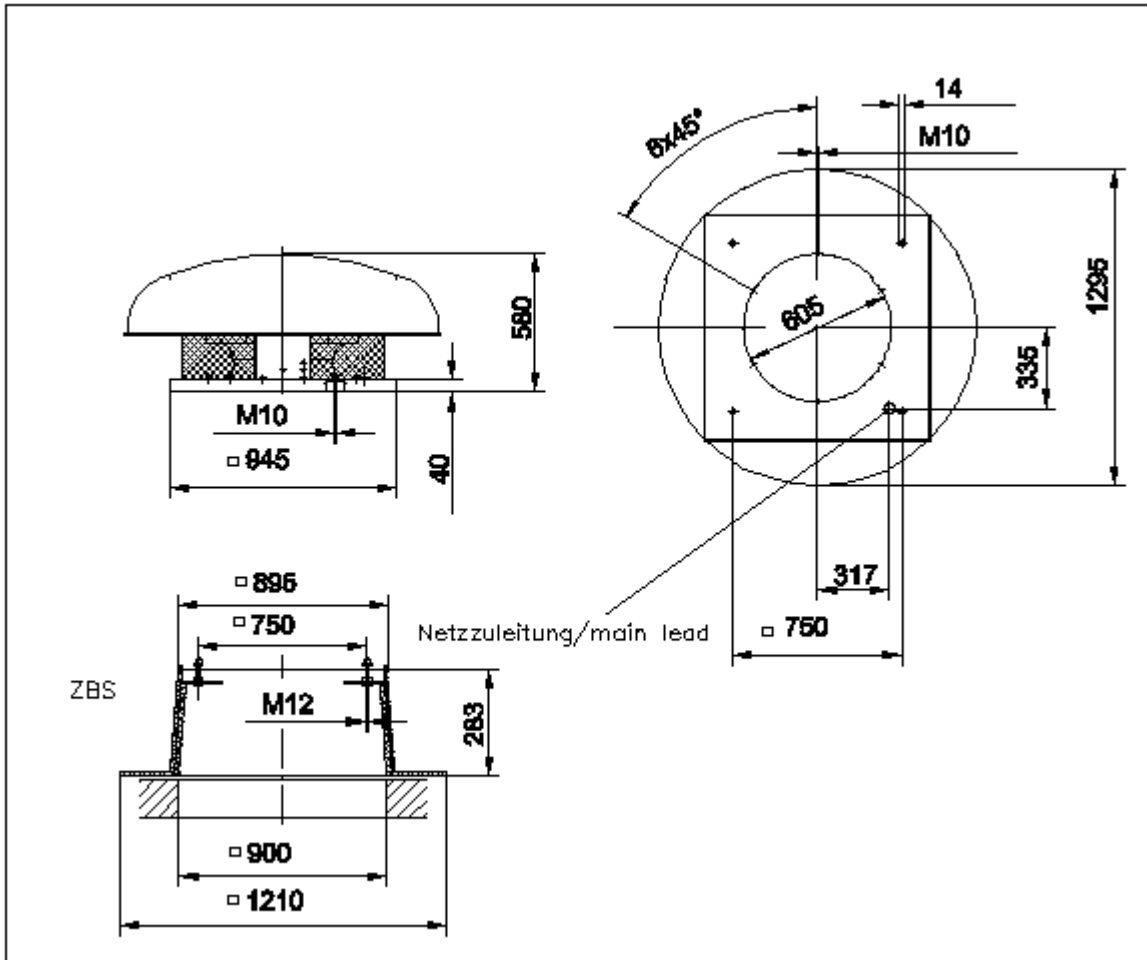
EU regulation 1253/2014 not applicable

Description	Value Dimension
<b>Specified duty point</b>	
Air flow rate (V)	8500 m <sup>3</sup> /h
Static pressure rise (dp <sub>ra</sub> )	150 Pa
<b>Actual duty point</b>	
Installation acc. DIN 24163 Part 1	A
Reference density (Rho1)	1.20 kg/m <sup>3</sup>
Medium temperature (t)	20 C
Air flow rate (V)	8311 m <sup>3</sup> /h
Static pressure increase (dp <sub>ra</sub> )	143 Pa
fan speed (n <sub>v</sub> )	- min <sup>-1</sup>
Absorbed power (P <sub>1</sub> )	- kW
Current (I)	- A
Static system efficiency (ETA <sub>faS</sub> )	- %
Specific Fan Power (SFP-factor)	- W/(m <sup>3</sup> /s)
Nozzle calibration factor (K <sub>10</sub> )	- m <sup>2</sup> /s/h
Differential pressure on nozzle (dp <sub>D</sub> )	- Pa
Velocity at discharge area (c)	- m/s
Fan weight	89 kg
A-weighted sound power level discharge/intake LwA <sub>B/3</sub>	74/74 dB
Unweighted octave sound power level	Octave mid frequencies <sup>1)</sup> 63/125/250/500/1k/2k/4k/8k Hz 83/80/72/70/68/66/62/55 dB discharge LwOkt <sub>8</sub> 87/81/77/70/66/63/61/54 dB intake LwOkt <sub>3</sub>
<sup>1)</sup> The octave sound power levels can be higher at octave bands at or close to blade passing frequency.	
<b>Rated data</b>	
Phase-Voltage-Frequency	3~400 D-50 V-Hz
Number of poles:	6
Motor rating (P <sub>N</sub> )	- kW
Rated motor speed (n <sub>N</sub> )	790 min <sup>-1</sup>
Rated motor current (I <sub>N</sub> )	2,2 A
Capacitor (C)	- µF
<b>operational limits</b>	
Max. absorbed power (P <sub>1max</sub> )	1.14 kW
Max. fan speed (n <sub>vmax</sub> )	1000 min <sup>-1</sup>
Max. operating frequency (f <sub>max</sub> )	50 Hz
Temperature range of conveying medium (t <sub>min</sub> ... t <sub>max</sub> )	-20...40 C

## Fan curve to RGA 31-5663-6X-3G



## Dimensions to RGA 31-5663-6X-3G



Rotation:  
Handing:

RD  
90